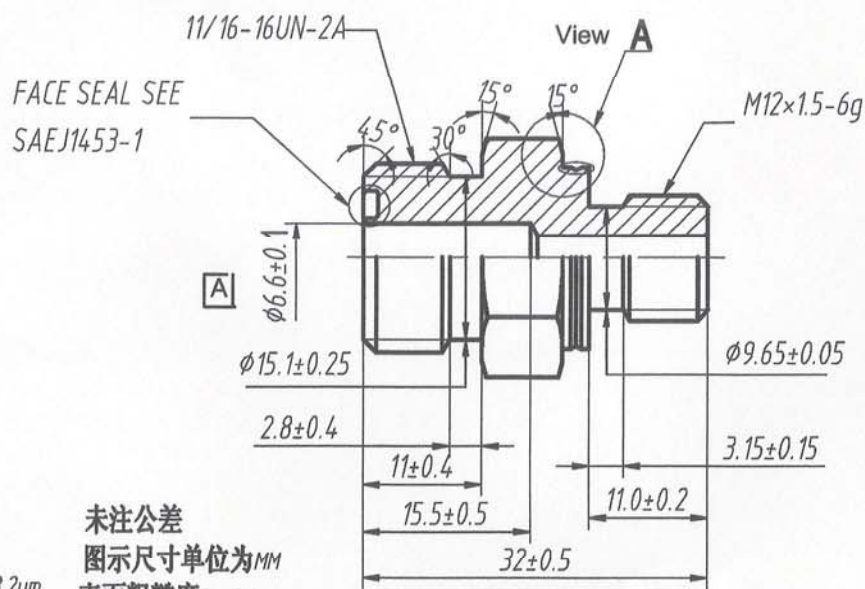
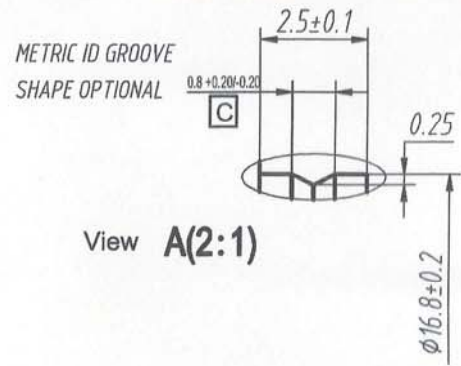
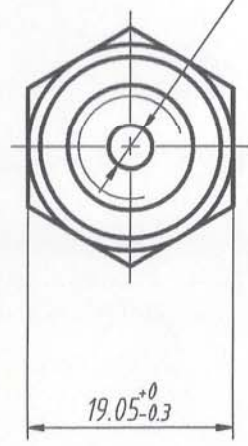


REV 更改号	DATE 日期	REVISION DETAILS 更改内容	APPD 审核并批准
A	Feb.25,2015	Chang dia.6.5 to dia.6.6	
B	Mar.23,2018	Chang Dia. from 4.09±0.09 to 4.0±0.1	
C	Mar.23,2018	Change 1.0 to 0.8 +0.20/-0.20	



B
Dia. (直径) 4.0 ± 0.1



UNLESS SPECIFIED
ALL DIMENSIONS IN mm,
MACHINED SURFACES Ra=3.2um,
ANGLE TOLERANCES ±1°,
DECIMAL TOLERANCES:
.X: ±0.5
.XX: ±0.25
.XXX: ±0.127

未注公差
图示尺寸单位为MM
表面粗糙度Ra=3.2um
角度公差±1°
小数部分公差:
.X: ±0.5
.XX: ±0.25
.XXX: ±0.127

[REDACTED]		
PART NO 零件名	40963-6FS-M12	
SCALE NTS	APPD: 批准: ZHANG	DRN 制图: WAN QIU
	DATE 日期: 26/03/18	CHK 审核: YB. ZHAN

MATERIAL	Chinese steel 45
FINISH	Remove all sharp edges ,burrs ,Slivers and swarf, break all edges 0.127-0.254mm. Zinc Plated With Trivalent Chromate And No Red Corrosion In 96 Hours Salt Spray Test.